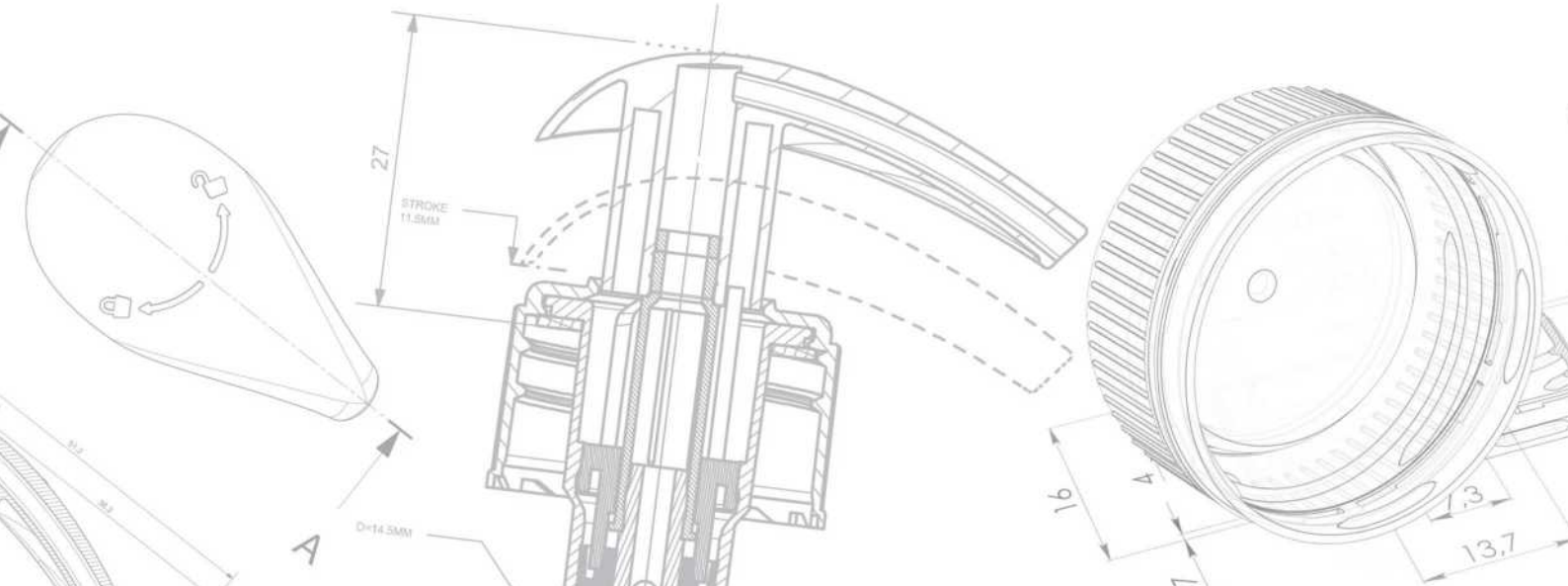


# afkar

KALIP MAKİNA SAN VE TİC LTD. ŞTİ.  
PLASTİK İÇ VE DIŞ TİCARET LTD. ŞTİ.





## WHO WE ARE

A company established in 2014, with roots back to 2003 and eyes on the future.

AFKAR Plastic aims to help you make your products stand out on the shelves combining style, quality and innovation.

AFKAR is an evolving company in the dispenser production market that concentrates on innovation and flexibility as standards production in order to respond to the versatility of global markets with no compromise on quality or style.

AFKAR know-how in dispenser and cap production allows you implements your concepts into end-user products that your customer's expectations

---

## HAKKİMİZDA

Afkar Plastik, Makina Ve Kalıp San. Tic. Ltd. Şti olarak 2003 yılında, Enjeksiyon Makina Kalıpları Ve Plastik Malzeme Üretimleri yaparak faaliyetlerimize başlamış bulunmaktayız.

Daha sonra sırasıyla; Sıvı Sabun Pompası ve Temizlik Malzemeleri Kapakları olarak üretimlerimize devam etmekteyiz.

Üretimimizde, son Sistem makinelerimiz, yazılımlarımız ve işinde son derece profesyonel ustalarımız ve personellerimizle, en kaliteli hammaddeleri kullanarak siz değerli müşterilerimizin taleplerine çözüm bulmakta, üretim yapmakta ve sizlere en iyi hizmeti sunmak için en üst seviye titizlikle çalışmaktayız.

**AFKAR** adopts a management philosophy of “Capacity Building”, we trained a highly-qualified team with various effective ways to create a safe and efficient work environment and supply satisfying products.



A fully automated production lines, unique production process and perfect quality management.



With High-qualified team of engineers and fully equipped facility, AFKAR creates their own tools.



Advanced warehouse management system, quality teasing, stock checking, and other daily operation can effectively control and tack the whole process of warehouse and logistics.



[www.afkar-tr.com](http://www.afkar-tr.com)

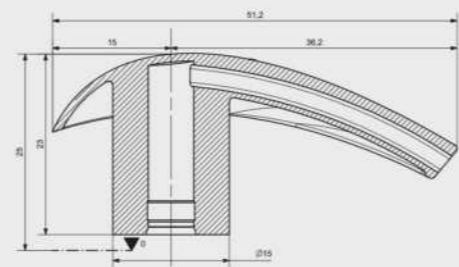
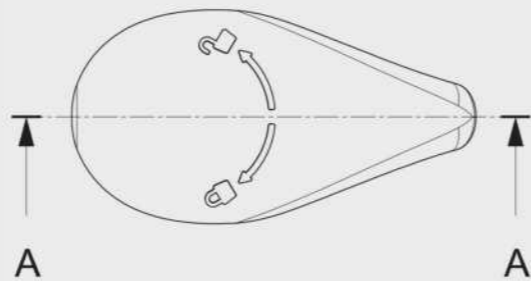
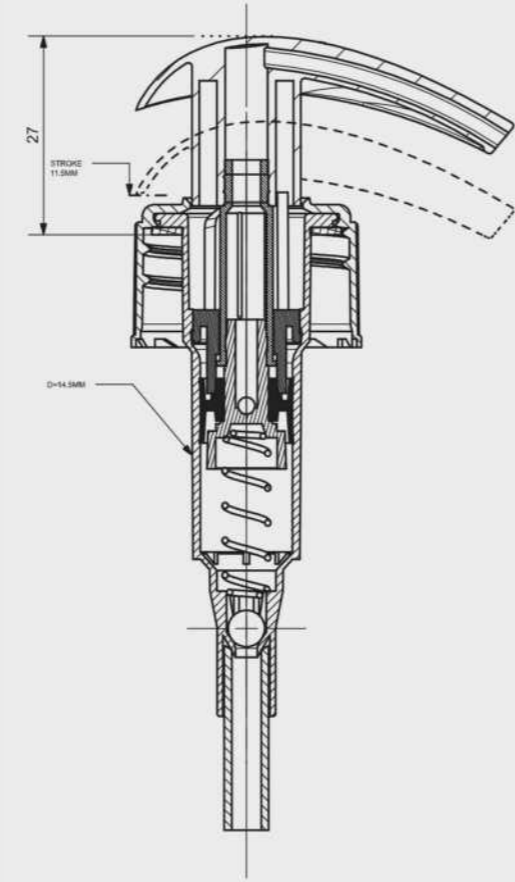
**afkar**

**LOTION PUMPS**



# TULIP

## LOTION PUMP



SECTION A-A

## TULIP LOTION PUMP



P501

**Specification :**

24/410      24/415  
 28/410      28/415

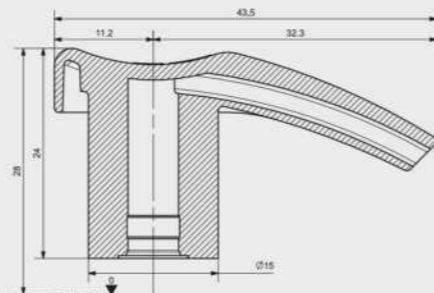
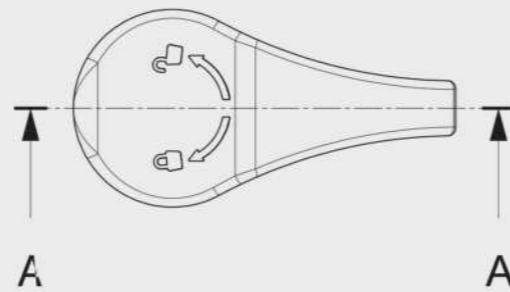
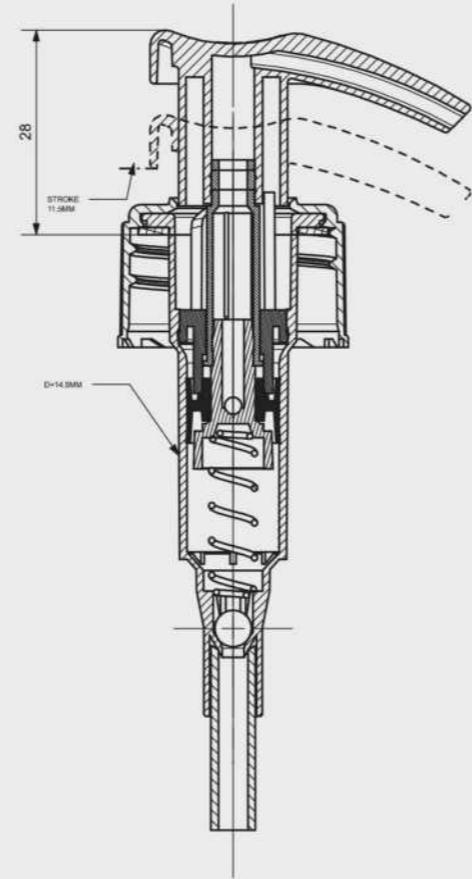
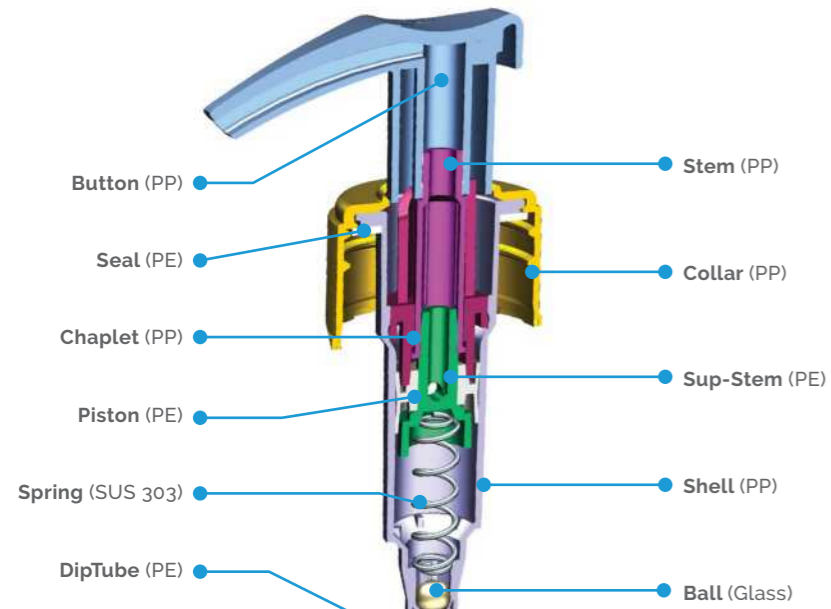
**Discharge Rate :**

1.00 ~ 1.50ml / T

PANTONE  
**LOOKING FOR A COLOR ?**  
 We Can Provide any Color You Want  
 Just Give us The Color Code

# ROSA

## LOTION PUMP



SECTION A-A

## ROSA LOTION PUMP



P502

### Specification :

24/410 24/415

28/410 28/415

### Discharge Rate :

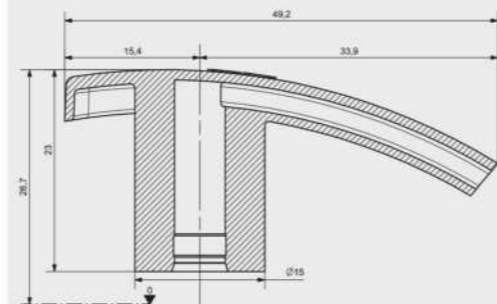
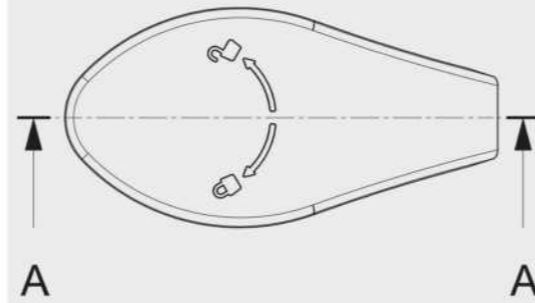
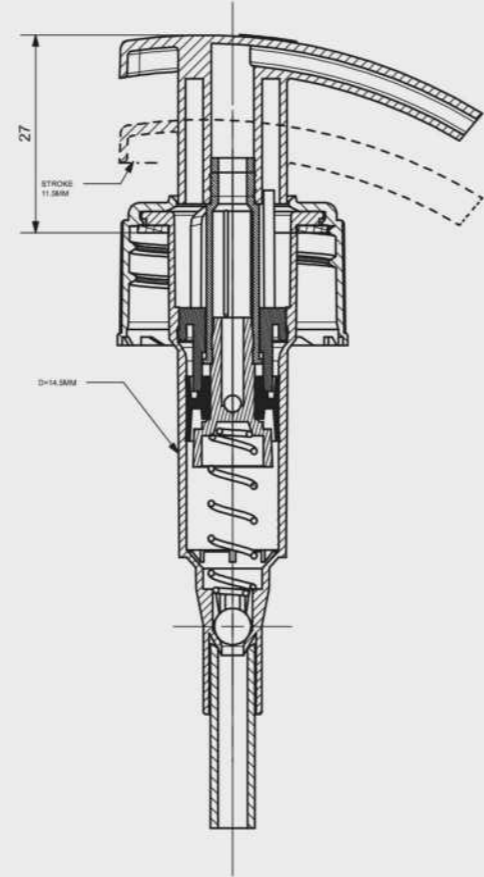
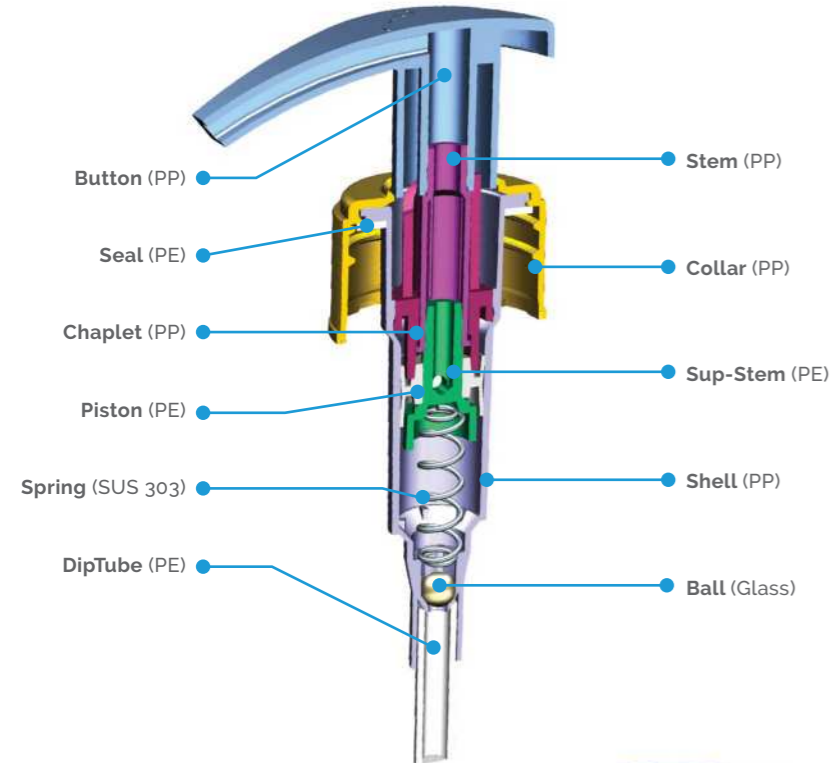
1.00 ~ 1.50ml / T

**PANTONE**

**LOOKING FOR A COLOR ?**  
We Can Provide any Color You Want  
Just Give us The Color Code

# ZAMBAK

## LOTION PUMP



SECTION A-A

## ZAMBAK LOTION PUMP



P503

**Specification :**

24/410      24/415

28/410      28/415

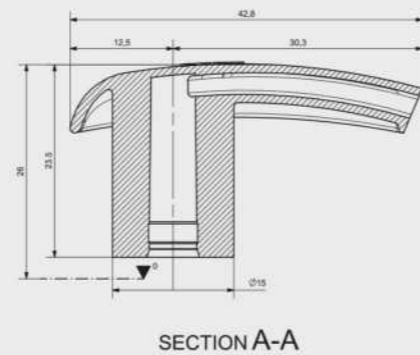
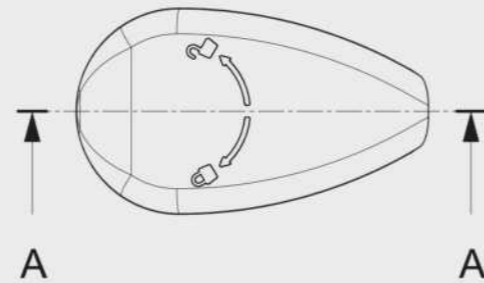
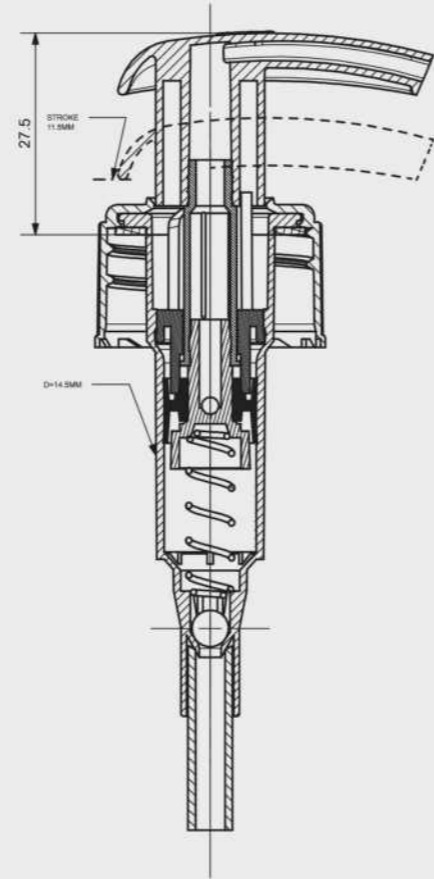
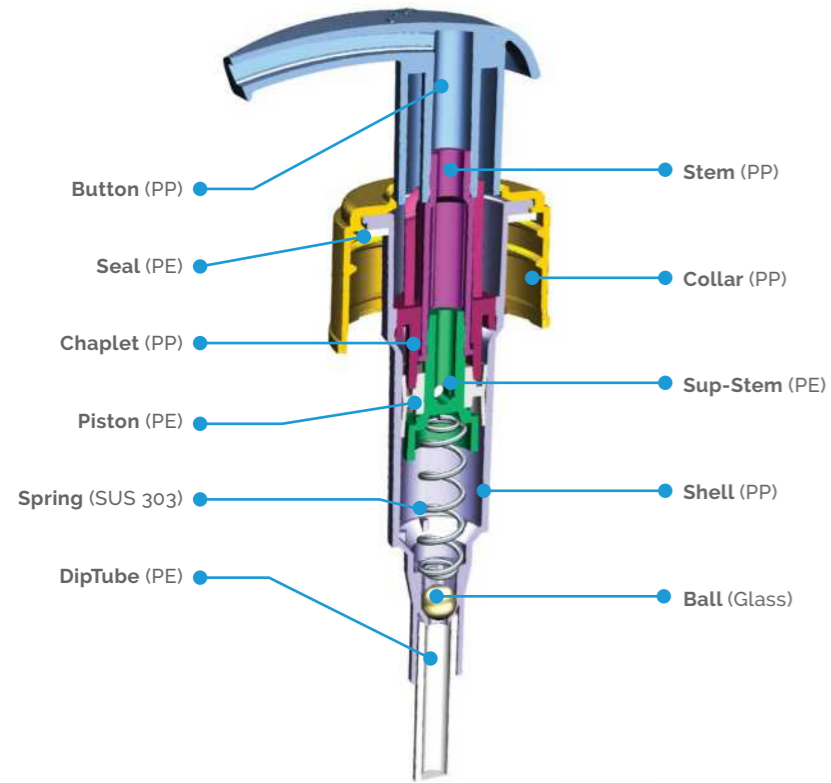
**Discharge Rate :**

1.00 ~ 1.50ml / T

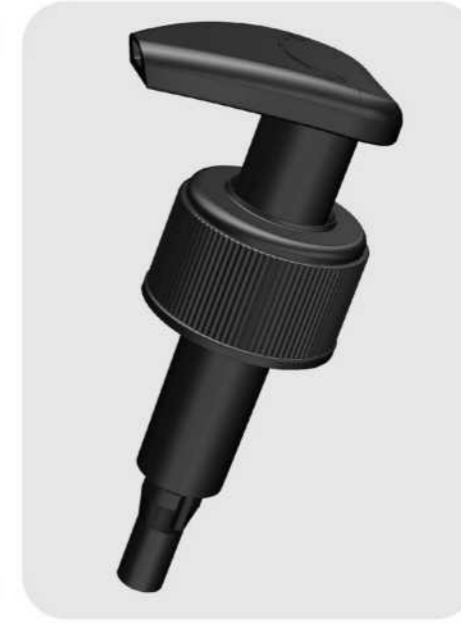
PANTONE  
**LOOKING FOR A COLOR ?**  
 We Can Provide any Color You Want  
 Just Give us The Color Code

# LOTUS

## LOTION PUMP

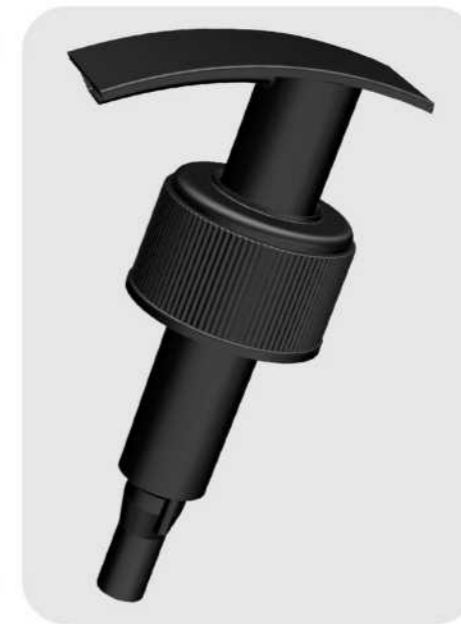


## LOTUS LOTION PUMP



P504

## PAPATYA LOTION PUMP



P505

### Specification :

24/410      24/415  
28/410      28/415

### Discharge Rate :

1.00 ~ 1.50ml / T



LOOKING FOR A COLOR ?

We Can Provide any Color You Want  
Just Give us The Color Code





# CAPS



F-501  
Kanarya Cap 28mm

Sealing Type: | Wadless Sealing Type:  
Wadless | Bore Seal



F-501U  
Kanarya Tall Cap 28mm

Sealing Type: | Wadless Sealing Type:  
Wadless | Bore Seal



LOOKING FOR A COLOR ?

We Can Provide any Color You Want  
Just Give us The Color Code



F502  
Mercek Cap 28mm

Sealing Type: | Wadless Sealing Type:  
Wadless | Bore Seal


  
**LOOKING FOR A COLOR ?**  
 We Can Provide any Color You Want  
 Just Give us The Color Code



L501  
Marti Cap 28mm

Sealing Type: | Wadless Sealing Type:  
Wadless | Bore Seal



L-501K  
Marti Cap with Cover 28mm

Sealing Type: | Wadless Sealing Type:  
Wadless | Bore Seal


  
**LOOKING FOR A COLOR ?**  
 We Can Provide any Color You Want  
 Just Give us The Color Code



K1501  
Cup Cap 58mm

Sealing Type: | Wadless Sealing Type:  
Wadless | Bore Seal



K1001  
Cup Cap 43mm

Sealing Type: | Wadless Sealing Type:  
Wadless | Bore Seal

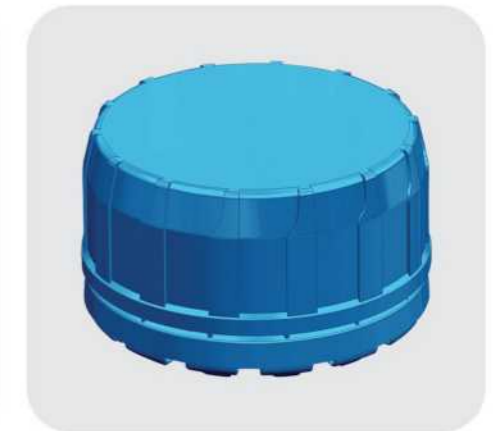
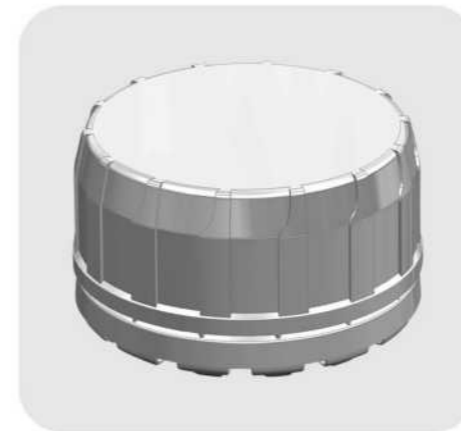
**LOOKING FOR A COLOR ?**
  
 We Can Provide any Color You Want
   
 Just Give us The Color Code



K501  
Klor Cap 28mm

Sealing Type: | Wadded Sealing Type:  
Wadded | EPE

DIZEL CAPS



K801  
Dizel Cap 38mm

Sealing Type: | Wadded Sealing Type:  
Wadded | EPE

**LOOKING FOR A COLOR ?**
  
 We Can Provide any Color You Want
   
 Just Give us The Color Code



S101

Damla 18mm

Sealing Type: | Wadded Sealing Type:  
Wadded | TPE

 PANTONE  
LOOKING FOR A COLOR ?  
We Can Provide any Color You Want  
Just Give us The Color Code

www.afkar-tr.com

# afkar

KALIP MAKİNA SAN VE TİC LTD. ŞTİ.  
PLASTİK İÇ VE DIŞ TİCARET LTD. ŞTİ.

**İSTANBUL OFFICE:**

Aşık Veysel Mah. Resneli Niyazi Sk.  
Pazarkent Çarşı No:4 İç Kapı No:93  
ESEN YURT / İSTANBUL / TÜRKİYE  
☎ 0212 605 00 07

**FACTORY:**

2.Organize Sanayi Bölgesi  
83221 Nolu Cadde No:27  
ŞEHİTKAMİL / GAZİANTEP / TÜRKİYE  
☎ 0342 235 47 79